

GE Healthcare

# TMX / TMX+

Mobile Radiographic Unit



GE imagination at work



## Compact and Easy to use

The TMX is a mobile powerful radiography system designed to fulfill a wide range of clinical applications in any location of your department.

It has been especially designed for totally adapted use in intensive care, emergencies, pediatrics, neonatology and orthopedics rooms.

# TMX the solid and easy to use mobile radiographic room for your department



## Light and extremely Easy to manoeuvre

Because of its ergonomic design, the TMX offers optimum visibility during travel. With its battery-free housing and two swiveling front wheels, the TMX is extremely easily manoeuvred through the narrowest corridors, small lifts or rooms

## Sophisticated Functions

A large control panel with digital display is clear and easy to read.

The control panel is equipped with touch-sensitive buttons that allow an easy and fast adjustment of the examination parameters.

The anatomical programmer (APR) has 24 types of anatomical techniques stored.



With the half dose function button it is easily possible to reduce the applied dose by 50% for pediatric examinations.

A perfect balanced arm combined with a rotating monoblock unit allows easily to position the TMX for all exposures, even the most difficult ones, in any examination environment.

## Outstanding Image Quality

The powerful high frequency monoblock unit together with the rotating anode X-Ray tube, ensure short exposure times for a superb image quality at a reduced dose to the patient.

## TMX / TMX+ Product Data

### Generator

- High frequency monobloc Generator
- Frequency 40 kHz
- Predisposition to a connection with an external Potter Bucky

	TMX	TMX+
Power rating (max.)	15 KW	30 KW
Voltage range	40 – 125 kV. 1kV steps	40 – 125 kV. 1kV steps
mAs range	0.2 – 160 mAs	0.2 – 220 mAs

### X-ray Tube

- X-Ray tube with rotating anode
- Anode rotating speed 2850 rpm (50 Hz)
- Anode material Tungsten

	TMX	TMX+
Focal spot size	0.8 mm	0.8 and 1.3 mm

### Collimator

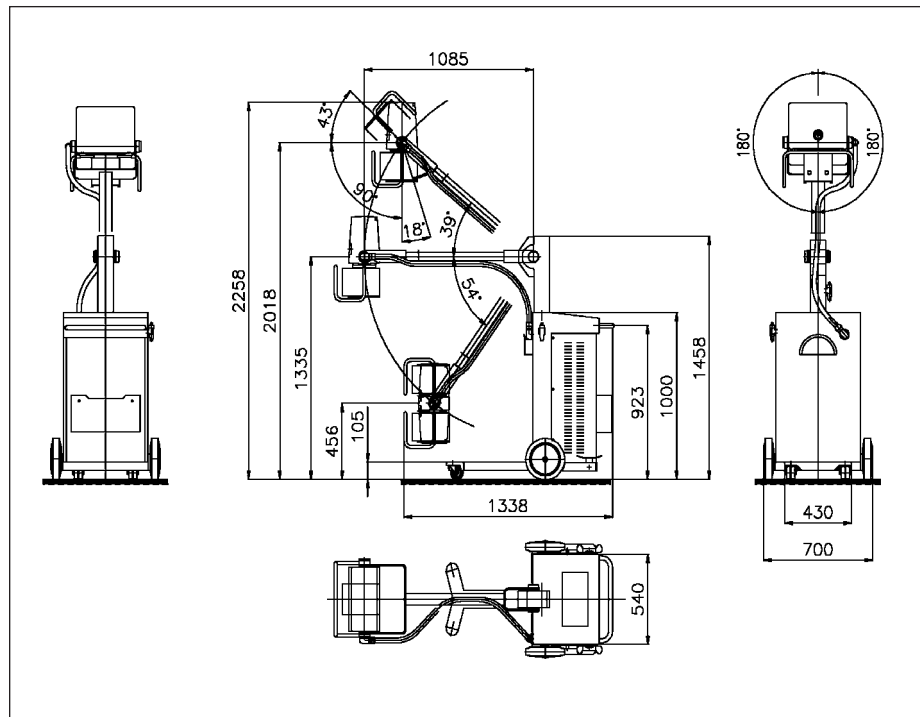
- Manually operated collimator
- Collimator rotation +/- 115°
- Retractable measure tape

### Control Console

- Microprocessor controlled console
- KV and mAs selection
- Potter Bucky selection
- High / Low dose selection
- Anatomic Programmed Mode (APR)
- Focal spot selection

### Mechanical Data

- Weight 185 kg
- Focus – floor distance from 456 to 2018 mm
- Height 1460 mm
- Length 1340 mm
- Width 700 mm
- Parking brake
- Cassette holder for 5 cassettes (35 x 43cm)



### Option

- Dose Area Product measuring device

### Power Supply

- Mains power 115/230 V +/- 10%, single phase 50/60 Hz, with automatic adaptation to the mains
- Standard socket outlet 16A

Data subject to change.  
Marketing Communications  
GE Medical Systems  
Société en Commandite Simple au capital de 118.854.900 Euros  
RCS Versailles B 315 013 359  
For more information on GE Healthcare,  
Internet: <http://www.gehealthcare.com>

© Copyright GE Medical Systems  
A General Electric Company, going to market as GE Healthcare



## **GE Healthcare**

Chalfont St.Giles, Buckinghamshire, UK  
Paris, France - Fax: +33 (0) 1 30 70 98 55  
Tokyo, Japan - Fax: + (81) 3-3223-8524  
Singapore - Fax: + (65) 291-7006

GE Healthcare  
Milwaukee, USA Fax: + (1) 414 544 3384

Printed in France - 3063-BE